

## Technical Specifications

Type 320

Description: 3.2m Blank Wagon

Date: 01.06.2011

**For trade enquiries contact:**

**Price & Speed Containers Pty Ltd**

42-44 Pemberton Street, Botany 2019

Phone 61 2 9666 6565

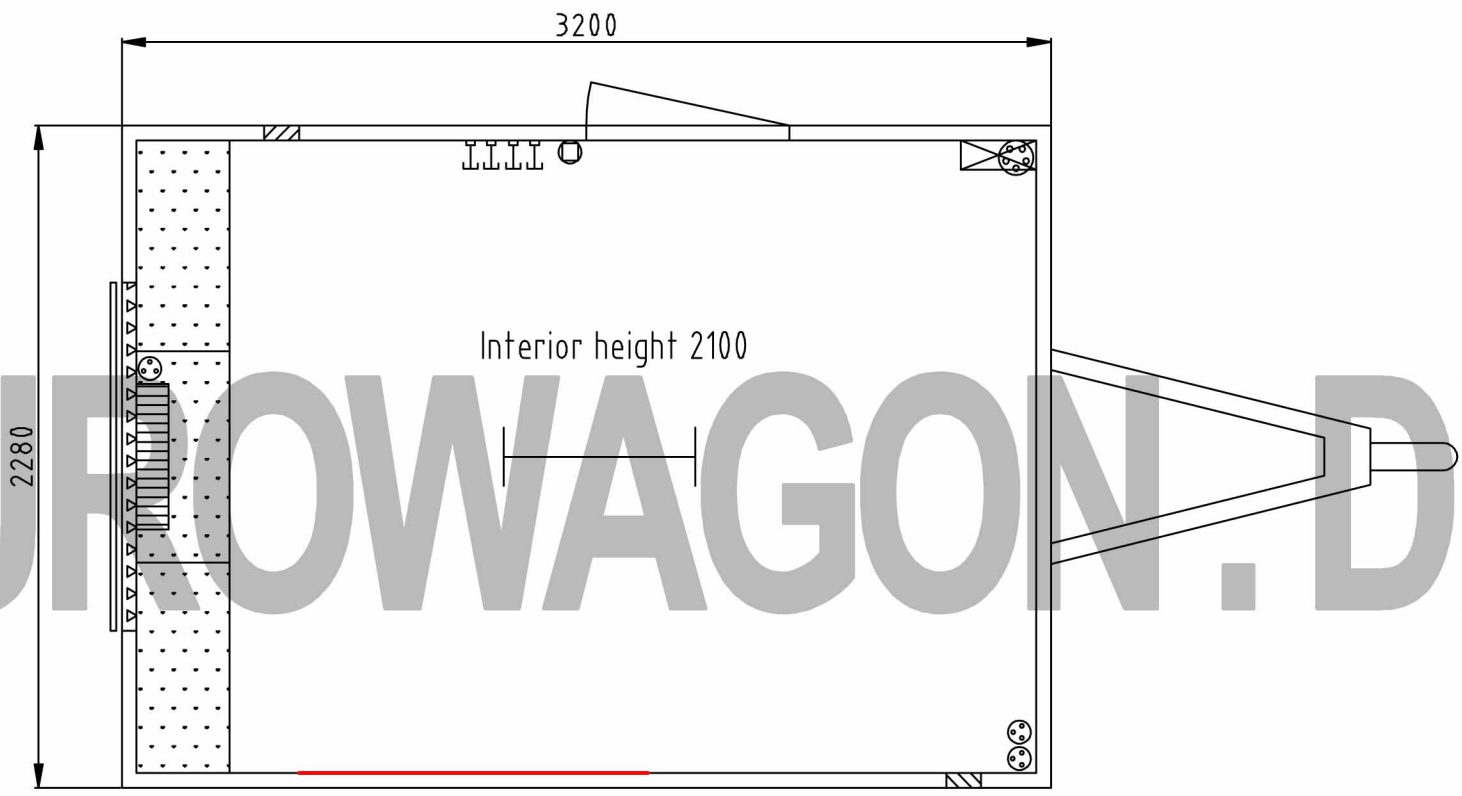
Fax 61 2 9666 6532

[www.priceandspeed.com.au](http://www.priceandspeed.com.au)

[info@priceandspeed.com.au](mailto:info@priceandspeed.com.au)

<b>Trailer Specifications</b>				
	<b>External Dimensions</b>		<b>Internal Dimensions</b>	
Length (without drawbar)	3200mm		3090mm	
Width	2280mm		2170mm	
Height	3100mm		2100mm	
Total Weight	750kg			
Wagon (Tare) Weight	TBA			
Number of Axles	1			
Axle & Brake Type	KNOTT Rubber Torsion Bar Independent Wheel Suspension Mechanical Braking to All Wheels			
Tow Coupling	50mm Articulated Ball Coupling with Automatic hitching device			
Chassis	High Tensile Electronically Magnated Hot Dipped Fully Galvanized			
External Lights	12v / 24v LED			
<b>Rims and Tyres</b>				
	<b>Standard Supply</b>	<b>Optional Extra</b>	<b>Customer to Supply</b>	<b>Comments</b>
13"	✓			
Spare	✓			x 1
<b>Operation Supply</b>				
	<b>Standard Supply</b>	<b>Optional Extra</b>	<b>Customer to Supply</b>	<b>Comments</b>
Main Switchboard	✓			x 1
Caravan Inlet	✓			x 1
<b>Door Specifications</b>				
	<b>Standard Supply</b>	<b>Optional Extra</b>	<b>Customer to Supply</b>	<b>Comments</b>
External Doors	✓			x 1 (700 x 1950mm)
Steps / Handrail (external doors)	✓			x 1

<b>Lighting and Electrical</b>				
	<b>Standard Supply</b>	<b>Optional Extra</b>	<b>Customer to Supply</b>	<b>Comments</b>
Internal Light Switch	✓			x 1
Florescent Dual Lights	✓			x 1
Power Points	✓			x 3
<b>Windows</b>				
	<b>Standard Supply</b>	<b>Optional Extra</b>	<b>Customer to Supply</b>	<b>Comments</b>
Double Glazed Tilt and Turn Windows	✓			x 1 (1200mm x 800mm)
Fly-screens	✓			on all windows
UV Protective Film	✓			on all windows
<b>Internal Appliances</b>				
	<b>Standard Supply</b>	<b>Optional Extra</b>	<b>Customer to Supply</b>	<b>Comments</b>
Reverse Cycle A/C	✓			x 1 – Floor Mounted
<b>Internal Fit Out</b>				
	<b>Standard Supply</b>	<b>Optional Extra</b>	<b>Customer to Supply</b>	<b>Comments</b>
Coat Hooks	✓			x 4
Notice Board	✓			x 1 (1200 x 800mm)
Shelf	✓			x 1 (350mm from roof)



⊗ Electric supply mains

▤ Heating

▬ Window (w1200 x h800)

⊠ Switch board

— Droplight

▫ Shelf

⊙ Outlet

┆ Clothes hanger

— Cork noticeboard (1200 x 800)

○ Light switch

▨ Ventilating

**Total weight 750 kg**

**COPYRIGHT EUROWAGON s.r.o**