

Technical Specifications

Type 34 (standard)

Description: 7.3m Dual Office Blank Wagon

Date: 01.06.2011

For trade enquiries contact:

Price & Speed Containers Pty Ltd

42-44 Pemberton Street, Botany 2019

Phone 61 2 9666 6565

Fax 61 2 9666 6532

www.priceandspeed.com.au

info@priceandspeed.com.au

Trailer Specifications

	External Dimensions	Internal Dimensions
Length (without drawbar)	7300mm	7190mm
Width	2280mm	2170mm
Height	3100mm	2100mm
Total Weight	TBA	
Wagon (Tare) Weight	TBA	
Number of Axles	2	
Axle & Brake Type	KNOTT Rubber Torsion Bar Independent Wheel Suspension Mechanical Braking to All Wheels	
Tow Coupling	50mm Articulated Ball Coupling with Automatic hitching device	
Chassis	High Tensile Electronically Magnated Hot Dipped Fully Galvanized	
External Lights	12v / 24v LED	

Rims and Tyres

	Standard Supply	Optional Extra	Customer to Supply	Comments
13"	✓			
Spare	✓			x 1

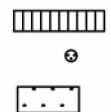
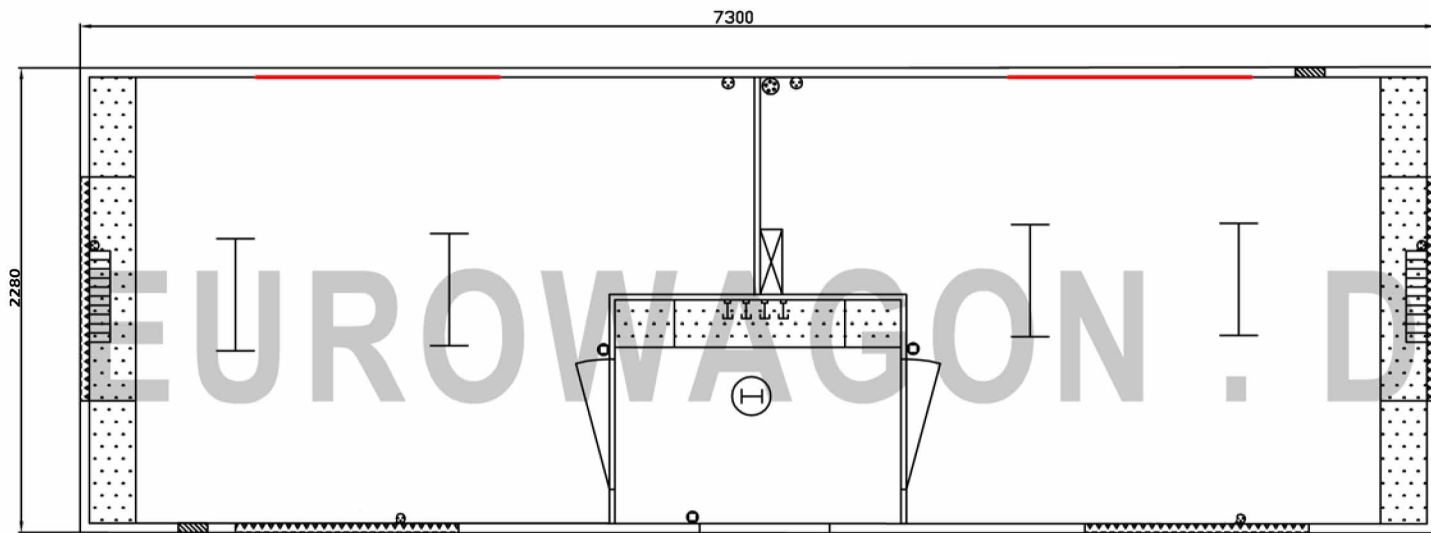
Operation Supply

	Standard Supply	Optional Extra	Customer to Supply	Comments
Main Switchboard	✓			x 1
Caravan Power Inlet Plug	✓			x 1

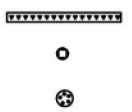
Door Specifications

	Standard Supply	Optional Extra	Customer to Supply	Comments
External Doors	✓			x 1 (700 x 1950mm)
Steps / Handrail (external doors)	✓			x 1
Internal Doors	✓			x 2 (700 x 1950mm)

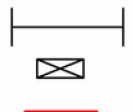
Lighting and Electrical				
	Standard Supply	Optional Extra	Customer to Supply	Comments
Internal Light Switches	✓			x 3 (1 for each office and 1 for common area)
Florescent Dual Lights	✓			x 4 (2 per office)
Standard Globe Light	✓			x 1 (in common area)
Power Points	✓			TBA
Windows				
	Standard Supply	Optional Extra	Customer to Supply	Comments
Double Glazed Tilt and Turn Windows	✓			x 4 (1200mm x 800mm)
Fly-screens	✓			on all windows
UV Protective Film	✓			on all windows
Internal Appliances				
	Standard Supply	Optional Extra	Customer to Supply	Comments
Reverse Cycle A/C – Floor Mounted	✓			x 2 – (1 per office)
Internal Fit Out				
	Standard Supply	Optional Extra	Customer to Supply	Comments
Shelving	✓			x 3 (1 shelf per office and 1 in common area – 350mm from roof)
Coat hooks	✓			x 4 (located in common area)
Notice Boards	✓			x 2 (1 in each office – 1200 x 800mm)



Reverse Cycle A/C
Shelf (350mm from roof)



Window (1200 x 800mm)
Light Switch
Electrical Connection (240v)



Dual Fluro Light
Mains Switchboard
Notice Board (1200 x 800mm)



Standard Light